

FREEZEEX[®]
AIR CURTAINS



AIR CURTAINS
PRODUCT CATALOGUE

CONTENTS

Creating Comfortable Indoors

Introduction.....	4
FreezeeX Storm E.....	6
FreezeeX Dynamic.....	7
Commercial HIFI Series.....	8
Ceiling Series.....	9
Industrial Centrifugal Series.....	10
Industrial Air Curtain.....	11
Elegant Air Curtain.....	12
Commercial Centrifugal Flow.....	13





ABOUT FREEZEEX

Freezee Industrial Products, is a foreign invested enterprise, combined European technology with American advantages, which is a professional manufacturer and supplier that specializing in ventilation products.

We have modernized standard workshops, automated and mechanized producing equipment, advanced technological inspection equipment, etc.

We got ISO9001:2008 Royal UKAS Quality System Certificate earlier, and obtained CE certificate for several series products. Nowadays our products are sold in America, Europe, Japan, South Africa and Asia nearly 18 countries and regions

DC MOTOR

Powerful engine, stronger performance

Generally used for the equipment to start and control speed at high performance requirements, which need high manufacturing cost, have good performance and good adaptability for humidity and corrosion environment.

SPEED CONTROL

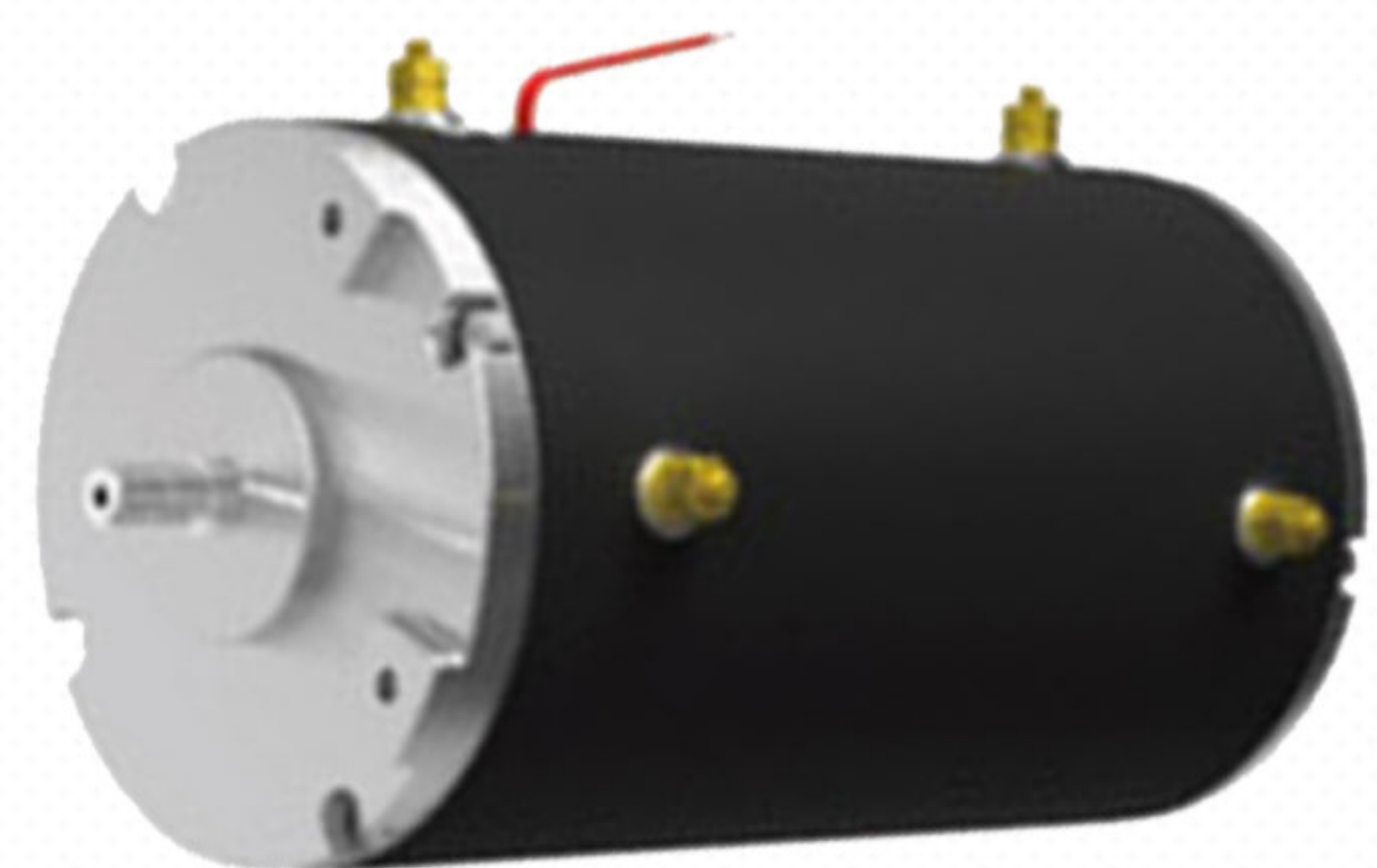
Wide and Smooth speed adjustment range; Switch to multiple air speeds freely

PERFORMANCE

Affected slightly by electromagnetic interference; with strong overload capacity.

MAINTENANCE

Strong versatility, low maintenance cost and convenient maintenance.



ENERGY-SAVING

Low energy consumption, High efficiency, more energy saving and environmental protection.

QUIET

Compact structure, small size, slight vibration and low noise.

DURABLE

Adopted new type full seal device with good protection performance.

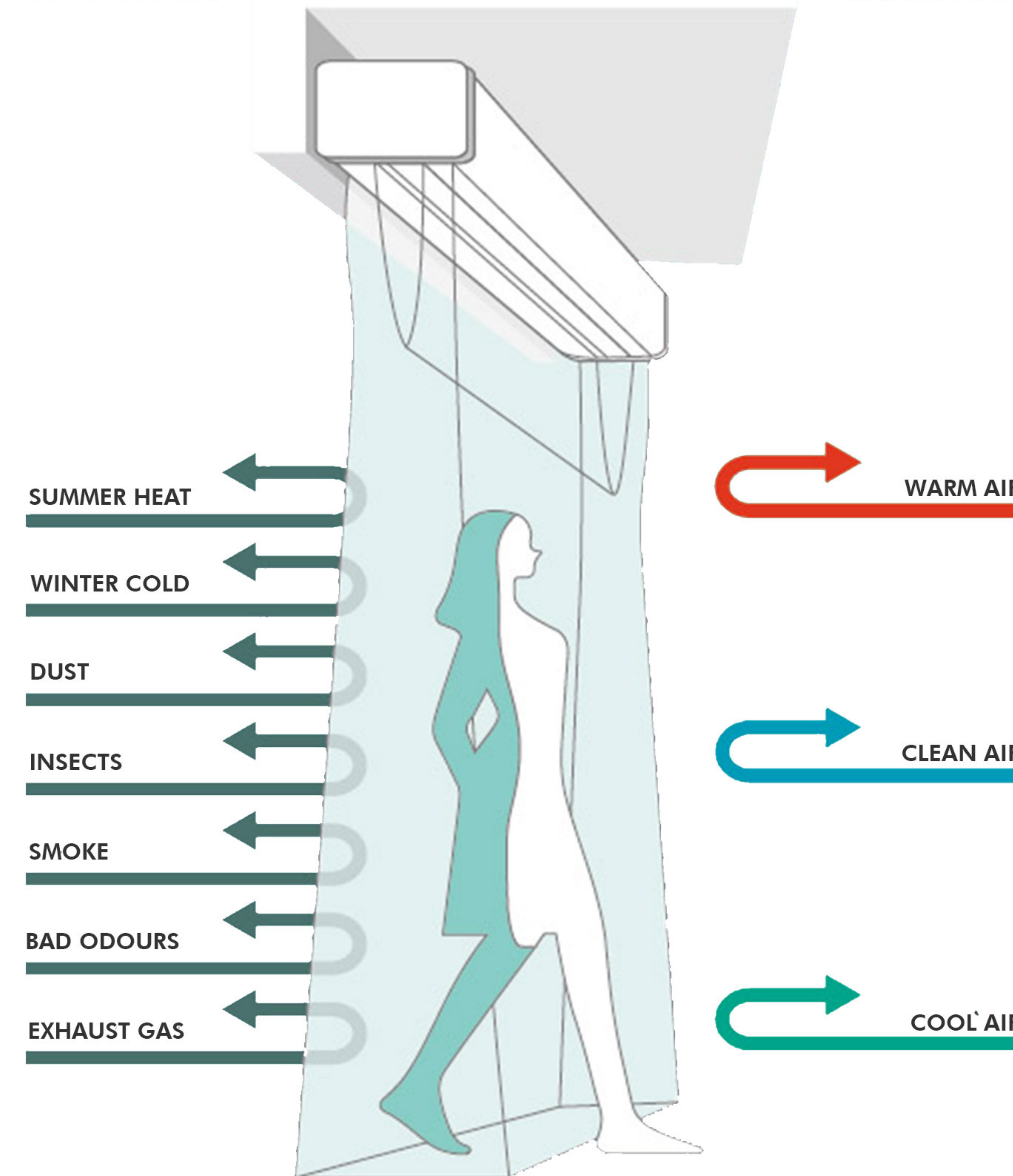
FREEZEEX AIR CURTAIN FUNCTIONS

Powerful isolation, Efficient and energy saving

Air curtain is an air fresher equipment, to form an "invisible air door" by running of high speed motor with cross flow or centrifugal blower. It has been widely used in electronic, medicine making, food processing, precision processing, chemical, business areas and other industry. It can effectively isolate convection indoor and outdoor and keep temperature and humidity. Air curtain is also called air door, air barrier etc.

OUTDOOR

INDOOR



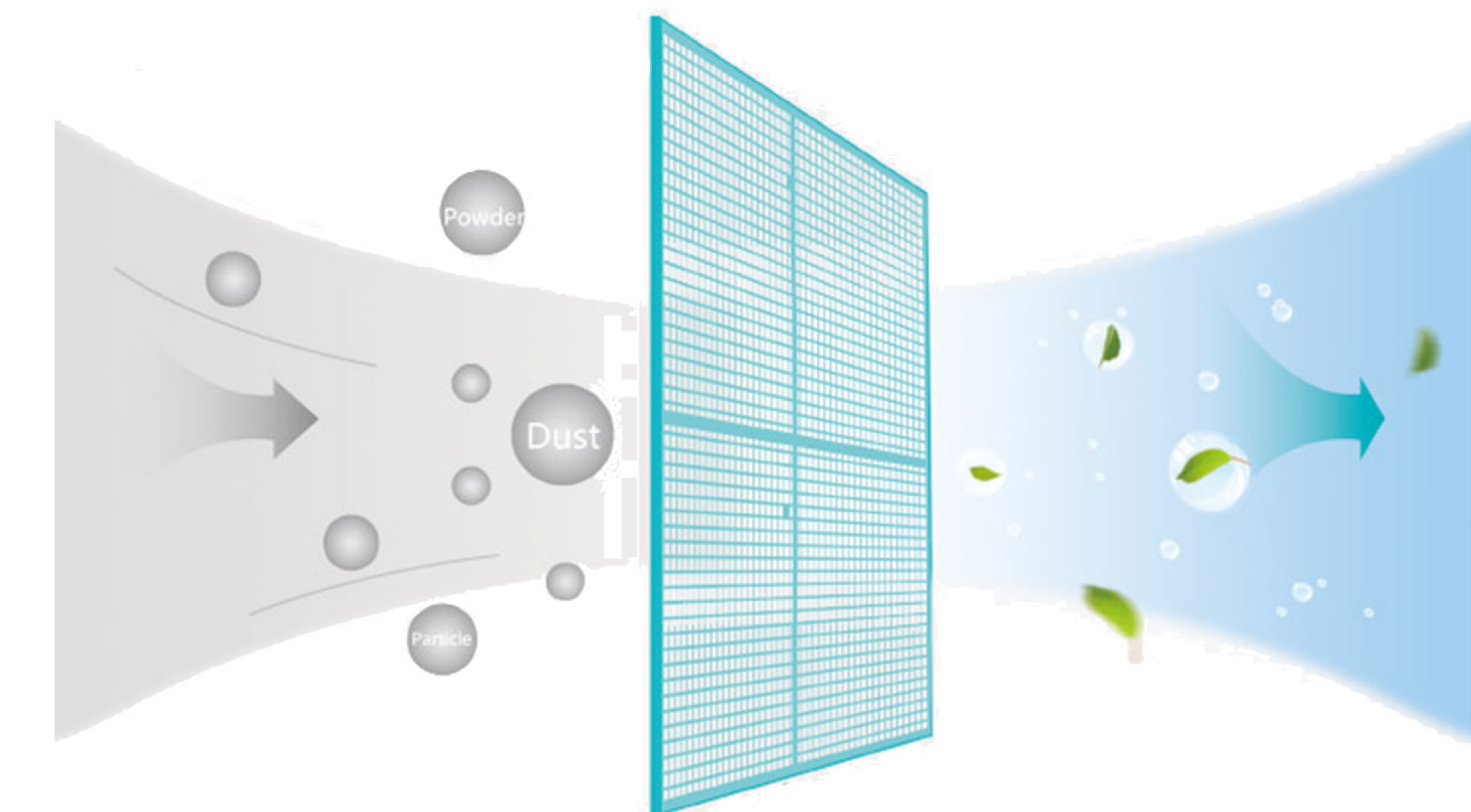
FM-6009GY

WITH REMOTE LENGTH
HEIGHT FOR MOUNTING
NATURAL AIR CURTAIN

FILTER NET

High density filter net for dustproof effectively

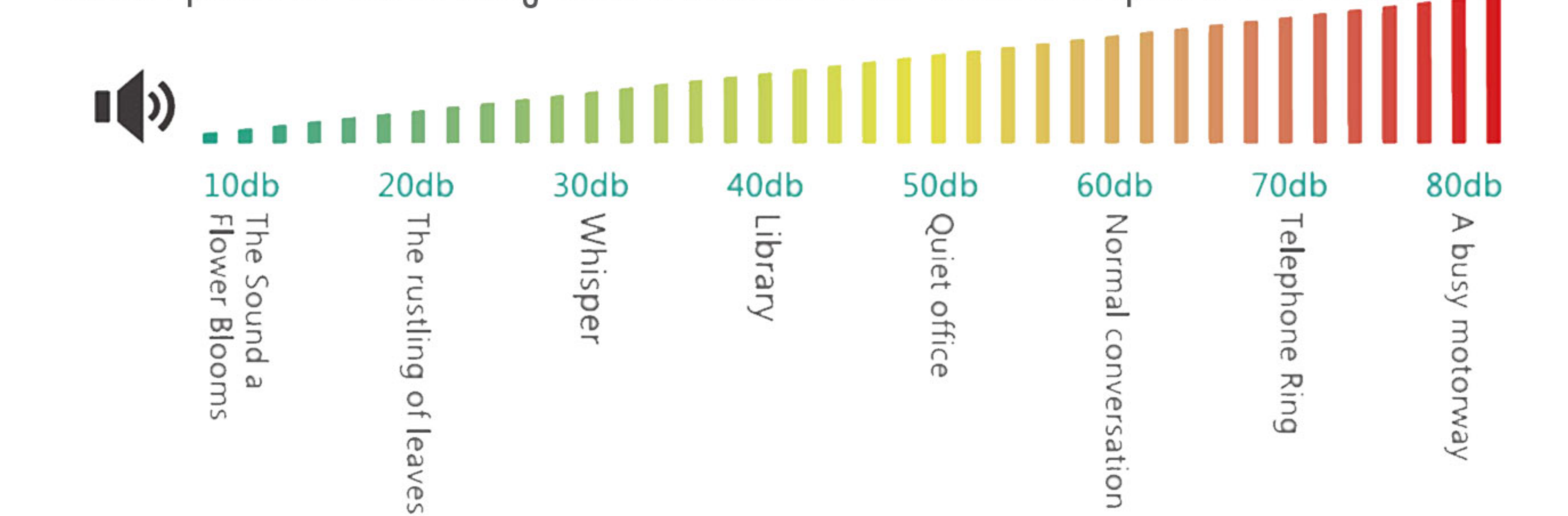
The air inlet of the air curtain is provided with high density filter net, filtering air, blocking dust, bacteria and other unclean objects.



LOW NOISE AND QUIETER ENVIRONMENT

Provide you the unusual comfort experience

FREEZEEX Air Curtain adopt non-isometric quiet impellers to avoid the maximum noise frequency area. Combined with scientific airflow design, it can reduce noise effectively under stable operation. The working noise is around 50 dB which is as quiet as the office.

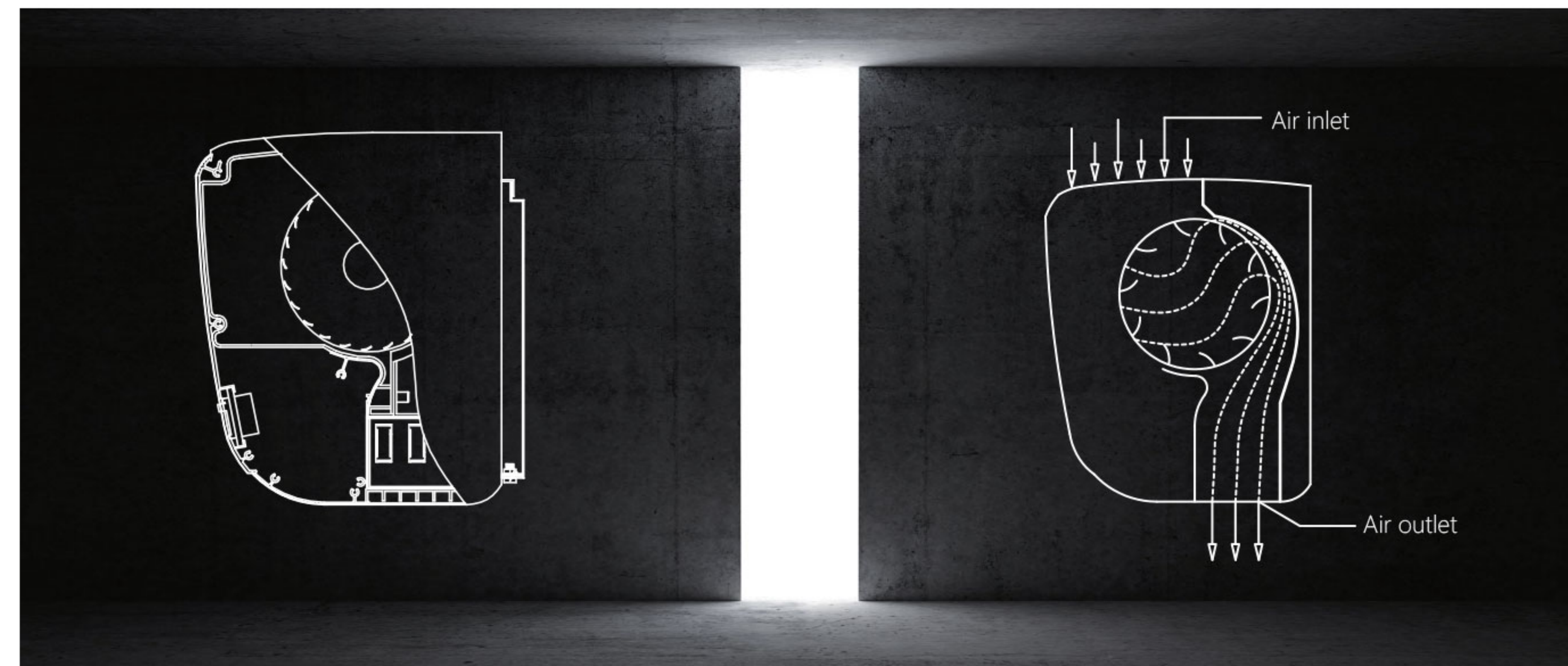


FREEZEEX STORME SERIES

Application: for high grade restaurants, hotels, exclusive shops and commercial buildings etc.



WHITE SILVER CHAMPAGNE



EVENLY AIR DELIVERY, UPGRADE EFFICIENCY

The higher air velocity and air volume can form a high pressure air door, which can prevent the dust, insects and isolate convection and keep the indoor temperature.

EASY CONTROL, UPDATED CONFIGURATION

Special design of air deflection vane, with aluminum air outlet and adjustable air direction. Available with remote control and key switch; with selectable high and lower air velocity.

FASHION DESIGN, UPGRADE APPEARANCE

Apply stainless aluminum cover, with frosted texture finished. The elegant appearance is without any visible screw.

BREAK TRADITIONAL, INNOVATE AIRFLOW

Apply new type cross-flow fan with centrifugal pressure air flow, combine with pure copper high performance motor and quite fan wheel, increase the air volume, air speed and air pressure effectively.



FREEZEEX DYNAMIC SERIES

Application: for the door of store, restaurant, retail shop, sports center and station etc.

HIGH QUALITY PERFORMANCE

Patent design and upgraded performance, good appearance and better quality.

AIR DUCT INNOVATION

Combine the advantage of cross-flow and centrifugal air duct, obtained the high air volume and high air velocity at the same time.

LUXURY MATERIALS

High efficient motor with thermal protector can operate continuously 5000h without failure. Higher air volume with superior performance.

EASY OPERATION

Special design of air deflection vane enables to adjust the air direction easily. Two speeds controlled by the remote control or key switch.

CHARMING DESIGN

Silver aluminum sandblast shell, 3D shape design, newly aluminum bar air intake panel.

TECHNICAL SPECIFICATIONS

(Mounting height : 4 - 4.5M)

Model	Unit (mm)	Frequency (Hz)	Voltage (V~)	Power (W)	Air volume (m³/h)	Air velocity (m/s)	Noise (dB)	Net weight (kg)	Unit size (mm)
FRX-1209TM/Y	900	50/60	220	160	1600	11	≤55	12.5	900x218x247
FRX-1212TM/Y	1200	50/60	220	200	2400	11	≤56	15.5	1200x218x247
FRX-1215TM/Y	1500	50/60	220	230	3150	11	≤57	18	1500x218x247
FRX-1218TM/Y	1800	50/60	220	300	3950	11	≤58	21	1800x218x247
FRX-1220TM/Y	2000	50/60	220	340	4550	11	≤62	24	2000x218x247

- Aluminum shell
- High efficient motor
- Quiet cross flow fan
- Adjustable air direction
- Remote control
- Key switch



- Aluminum shell
- High efficient motor
- Quiet cross flow fan
- Adjustable air direction
- Remote control
- Key switch

TECHNICAL SPECIFICATIONS

(Mounting height : 3.5 - 4M)

	Frequency (Hz)	Air velocity (m/s)	Air volume (m³/h)	Noise (dB)	Power (W)	Net weight (kg)	Unit size (mm)	
FRX-1209T/YDN	220-240	50/60	11	1400	55	160	10	900X190X225
FRX-1212T/YDN	220-240	50/60	11	1900	56	200	12.5	1200X190X225
FRX-1215T/YDN	220-240	50/60	11	2500	57	230	15.5	1500X190X225
FRX-1218T/YDN	220-240	50/60	11	3200	58	300	18	1800X190X225
FRX-1220T/YDN	220-240	50/60	11	3600	59	350	20	2000X190X225



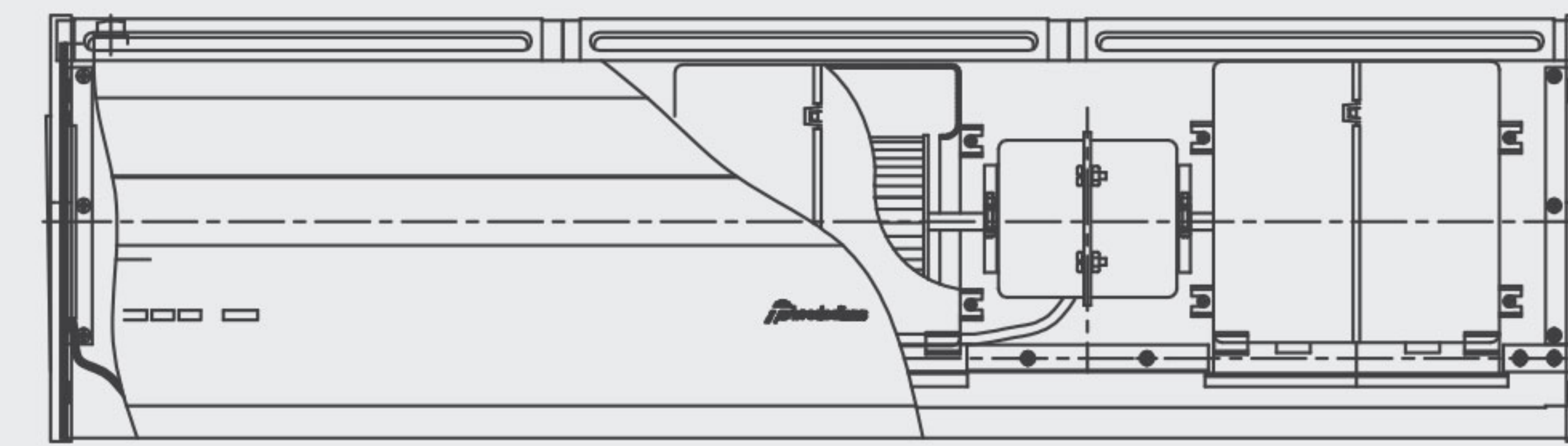
COMMERCIAL HIFI SERIES

Application: for high grade restaurants, offices, shopping malls, hotels and commercial buildings etc.

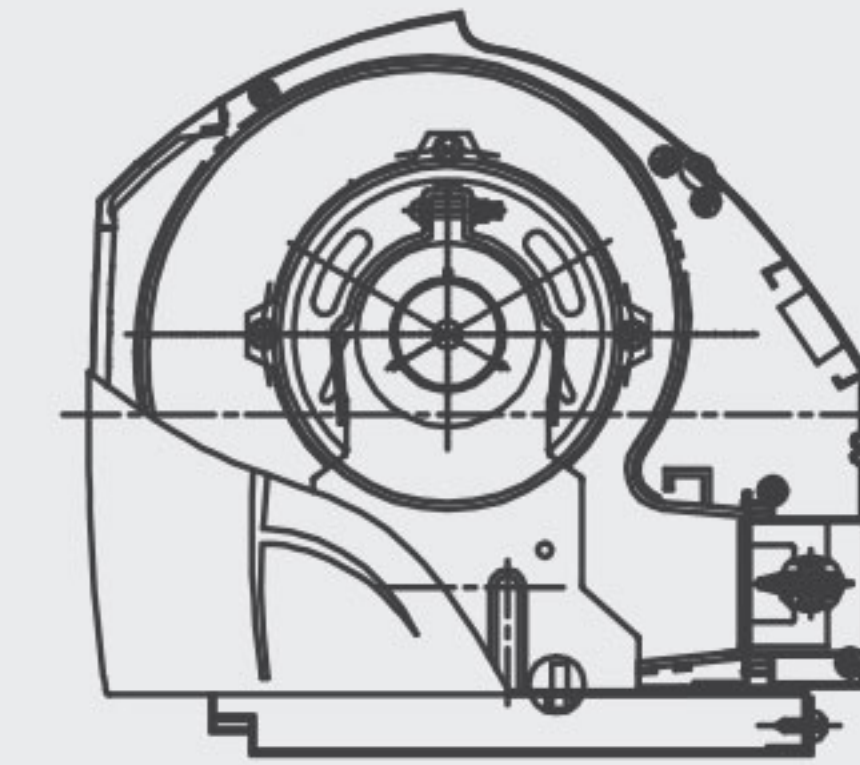


WHITE SILVER CHAMPAGNE

Front view



Left view



FASHION DESIGN

Outside cover without screw, patent design of arc shape appearance, compact & fashion.

EASY OPERATION

Available with remote control and key switch; with selectable high and lower air velocity.

CENTRIFUGAL FAN MOTOR

Low noise centrifugal fan, with high air pressure and adjustable air direction.

LUXURY MATERIALS

By aluminum cover body and combine with high precise ABS, never rusty and easy disassembly; high velocity motor can operate continuously 5000h without failure.

TECHNICAL SPECIFICATIONS

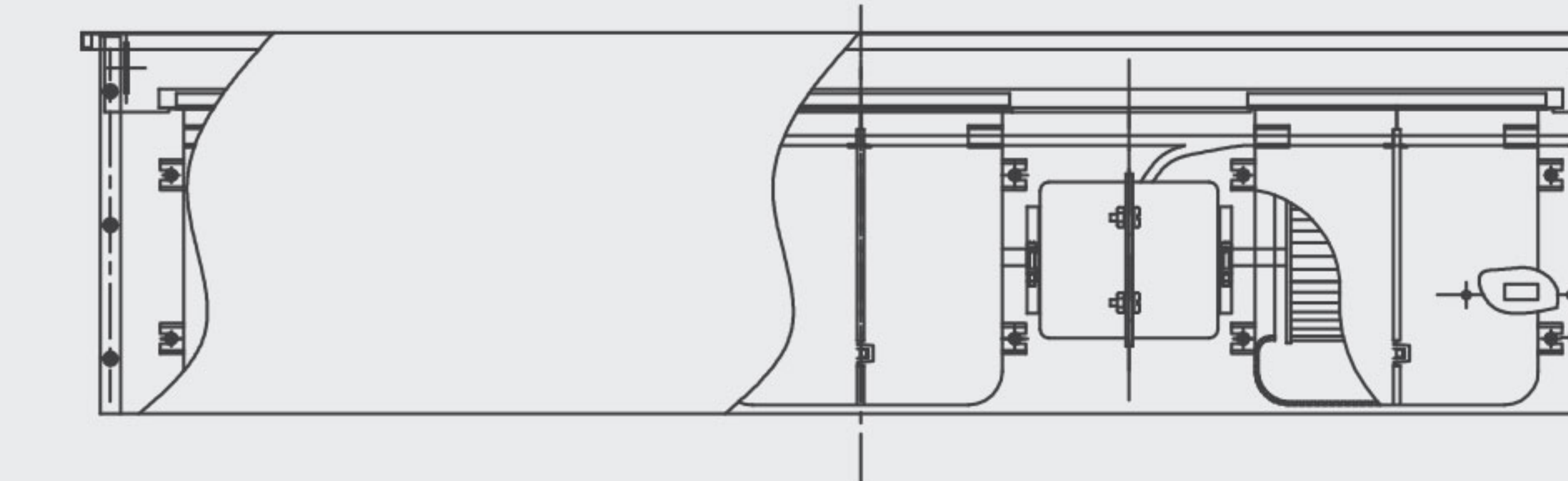
(Mounting height : 4.5 - 5M)

Model	Unit (mm)	Voltage (V~)	Frequency (Hz)	Air velocity (m/s)	Air volume (m³/h)	Noise (dB)	Power (W)	Net weight (kg)	Unit size (mm)
FRX-4009-L/Y	900	220-240	50/60	20	1400	54	300	13	900X215X230
FRX-4012-L/Y	1200	220-240	50/60	20	1900	55	400	15.5	1200X215X230
FRX-4015-L/Y	1500	220-240	50/60	20	2300	58	500	20	1500X215X230
FRX-4018-L/Y	1800	220-240	50/60	20	2800	59	600	24	1800X215X230
FRX-4020-L/Y	2000	220-240	50/60	20	3300	61	700	32	2000X215X230

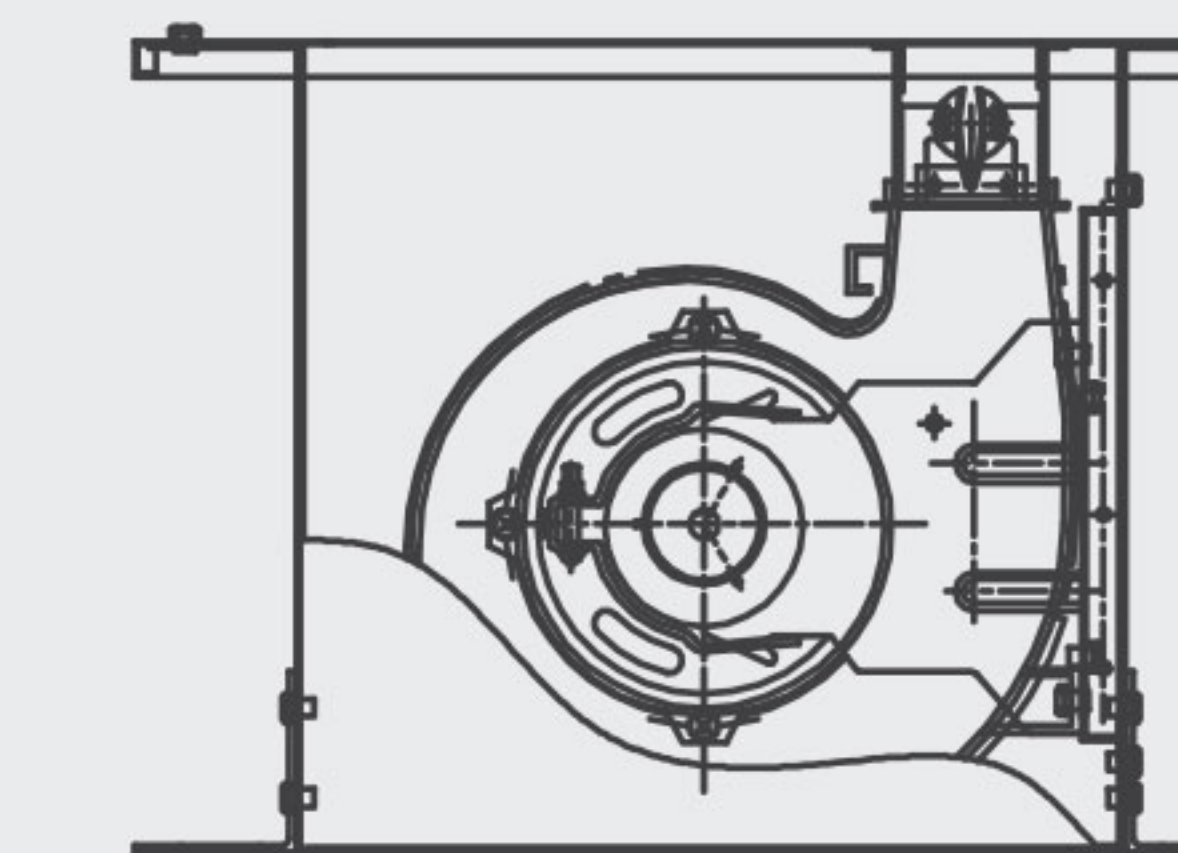


RECESSED CEILING SERIES

Front view



Side view



EASY CLEAN AND FIREPROOF

Full steel cabinet and stainless steel air inlet covers, rust-proof and easy clean;

RECESSED IN CEILING DESIGN

Recessed in ceiling or hang on ceiling type design, it's for special situations where the glass door is unable or lacks of enough space for side installation.

Apply high velocity motor, centrifugal turbine fan and scientific air duct design; powerful air pressure and lower noise operation;

EASY OPERATION

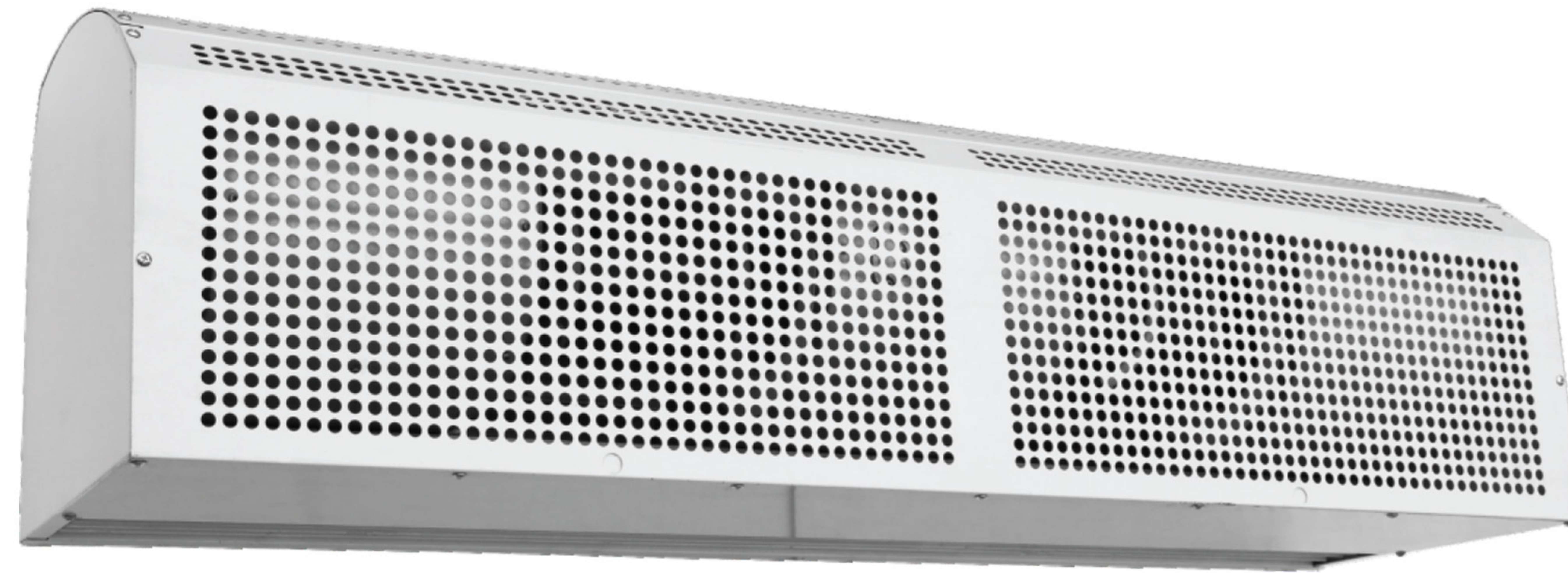
Selectable high and lower air velocity controlled by remote control or key switch.

TECHNICAL SPECIFICATIONS

(Mounting height : 4.5M)

Model	Unit (mm)	Voltage (V~)	Frequency (Hz)	Air velocity (m/s)	Air volume (m³/h)	Noise (dB)	Power (W)	Net weight (kg)	Unit size (mm)
FRX-4009CS/Y	900	220	50/60	16	1100	49	230	17	900X235X320
FRX-4012CS/Y	1200	220	50/60	16	1500	50	290	22	1200X235X320
FRX-4015CS/Y	1500	220	50/60	16	1900	52	380	27	1500X235X320
FRX-4018CS/Y	1800	220	50/60	20	2300	55	400	32	1800X235X320
FRX-4020CS/Y	2000	220	50/60	24	2800	58	420	38	2000X235X320





INDUSTRIAL CENTRIFUGAL SERIES

Application: installation in plant, cold storage, garage, workshop and other industrial use.

FINE WORKMANSHIP

The square reinforced structure is made from galvanized steel with powder coated, sturdy and durable which is never being deformed.

POWERFUL AIRFLOW

Centrifugal Metal fan blower (Fan diameter Φ160) supply powerful airflow. Large air outlet and higher air velocity reach up to 25m/s create more sufficient air volume.

STABLE PERFORMANCE

The centrifugal turbine fan is made from steel which is safe and durable. The high velocity powerful motor can meet the higher installation and special environments.

TECHNICAL SPECIFICATIONS

(Mounting height : 6 - 7M)

Model	Unit (mm)	Frequency (Hz)	Voltage (V~)	Power (W)	Air volume (m³/h)	Air velocity (m/s)	Noise (dB)	Net weight (kg)	Unit size (mm)
FRX-6009A	900	50	220/380	1300	3760	25	66	28	900X350X300
FRX-6010A	1000	50	220/380	1400	4150	25	66	30	1000X350X300
FRX-6012A	1200	50	220/380	2000	5640	25	69	43	1200X350X300
FRX-6015A	1500	50	220/380	2600	7520	25	70	52	1500X350X300
FRX-6018A	1800	50	220/380	2800	8500	25	70	58	1800X350X300
FRX-6020A	2000	50	220/380	3300	9400	25	72	70	2000X350X300

POWERFUL AND SMOOTH AIRFLOW

Adopt quiet aluminum alloy wind wheel and scientific airflow design; it has strong and powerful air volume.

STURDY AND DURABLE

Galvanized steel with powder coated, sturdy and durable which is never being deformed. Optimized high velocity powerful motor, can meet the higher installation and special environments.

INDUSTRIAL AIR CURTAIN SERIES

TECHNICAL SPECIFICATIONS

(Mounting height : 7 - 9M)

Model	Unit (mm)	Voltage (V~)	Frequency (Hz)	Air velocity (m/s)	Air volume (m³/h)	Noise (dB)	Power (W)	Net weight (kg)	Unit size (mm)
FRX-6009GY	914	220	50	21	3500	63	800	42	914X345X351
FRX-6012GY	1218	220	50	21	4650	65	1200	47.5	1218X345X351
FRX-6015GY	1523	220	50	21	5700	66	1600	58	1523X345X351

- Adjustable air direction
- Key switch
- Full steel casing
- High efficient motor

- Aluminum shell
- High efficient motor
- Quiet cross flow fan
- Adjustable air direction
- Remote control
- Key switch





ELEGANT AIR CURTAIN

Application: for high-grade glass door which can not install horizontally, or the vertical side without enough space and other special environments.

FEATURES

Plastic Appearance with special and elegant design
With filter and easy cleaning
Four control modes to meet different client needs and locations

EASY OPERATION

Optional with remote control or switch, with high and low speed control.

STABLE PERFORMANCE

Optimized air conditioner motor, reliable performance can operate continuously 5000h without failure.

TECHNICAL SPECIFICATIONS

(Mounting height : 3.5M)

Model	Unit (mm)	Voltage (V~)	Frequency (Hz)	Air velocity (m/s)	Air volume (m³/h)	Noise (dB)	Power (W)	Net weight (kg)	Unit size (mm)
FRX-3509QS	900	220	50	15.5	1080	44	200	13.5	900X230X220
FRX-3512QS	1200	220	50	15.5	1450	45	250	15.5	1200X230X220
FRX-3515QS	1500	220	50	15.5	1800	48	325	20.5	1500X230X220



High efficient motor
Quiet wind wheel
Adjustable air direction
Key switch



COMMERCIAL CENTRIFUGAL FLOW SERIES

POWERFUL AND SMOOTH AIRFLOW

Adopt quiet aluminum alloy wind wheel and scientific airflow design; it has strong and powerful air volume.

STURDY AND DURABLE

Galvanized steel with powder coated, sturdy and durable which is never being deformed.
Optimized high velocity powerful motor, can meet the higher installation and special environments.

TECHNICAL SPECIFICATIONS

(Mounting height : 5 - 6M)

Model	Unit (mm)	Voltage (V~)	Frequency (Hz)	Air velocity (m/s)	Air volume (m³/h)	Noise (dB)	Power (W)	Net weight (kg)	Unit size (mm)
FRX-5509Z-L	900	220	50	20	1450	48	420	16	900X230X215
FRX-5510Z-L	1000	220	50	20	1450	48	420	16.3	1000X230X215
FRX-5512Z-L	1200	220	50	20	1930	49	560	16.8	1200X230X215
FRX-5515Z-L	1500	220	50	20	2420	52	700	22.5	1500X230X215
FRX-5518Z-L	1800	220	50	20	2900	54	800	24.5	1800X230X215
FRX-5520Z-L	2000	220	50	20	3300	54	900	26.5	2000X230X215



High efficient motor
Quiet wind wheel
Adjustable air direction
Key switch





FREEZEE AIR CURTAINS

Freezee Industrial Products

Po Box:2088, Loomis, CA 9565

info@freezeeindustrial.com